

UR-A376CL

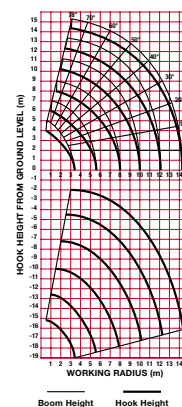
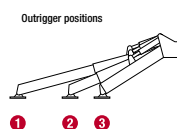
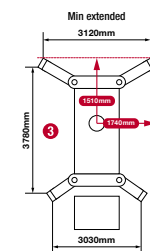
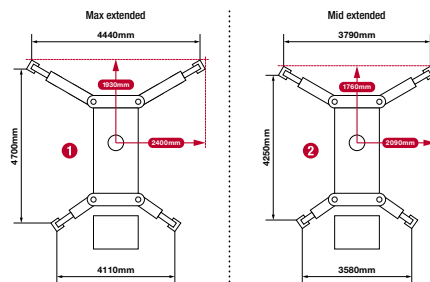
(2.9t x 2.4m)

The **UNIC 376** features a six section hydraulic boom to allow it a maximum working radius of 14.3m. This mid-capacity machine can be controlled either from the onboard operator's seat or from a distance using remote control.

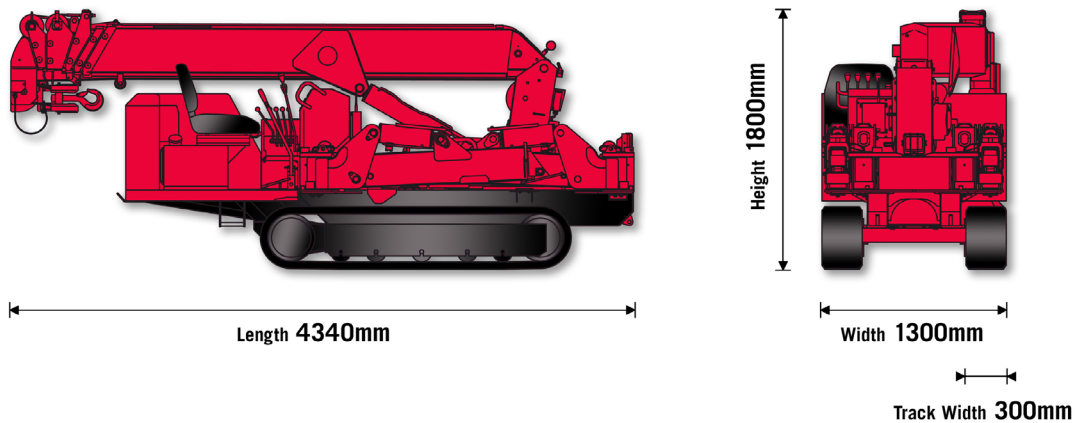
- Capacity 2.9t x 2.4m
- Total width 1.3m
- Max working radius 14.3m
- Max boom length 14.45m
- Diesel powered and optional mains electric
- Zero length increase with electric option
- 3km/h running speed with 2-speed drive
- Operator control of outrigger extension
- Optional radio remote control
- Working area limitation



Crane capacity	capacity:	2.9t x 2.4m
Max working radius	max:	14.3m
Max lifting height	approx:	14.4m
Rope length	max:	17.5m (4 fall), 35m (2 fall), 70m (1 fall)
Dimensions	folded:	4340mm (l) x 1300mm (w) x 1800mm (h)
Weight	unladen:	3530kg (3680kg with electric option)
Point loadings	Due to the many variables involved, point loadings are only available on request	
Hook speed	approx:	15m/min (with 4 layers and 4 falls)
Telescopic system	boom length:	3.63 - 14.45m
	telescoping speed:	10.82m/23 seconds
	boom type:	6 section hydraulically telescoping boom, hexagonal box construction
Derricking angle/speed	approx:	0 - 78°/12.5 seconds
Stewing angle/speed	approx:	360° (continuous) 2.5min ⁻¹ (rpm)
Traction system	drive:	hydrostatic 2-speed
	travel speed:	0-3km/h
	gradability:	23°
	track ground length:	1800mm
	track ground pressure:	33.3kPa (0.34kg/cm ²)
	track width:	300mm
Engine	manufacturer:	Mitsubishi
	fuel:	diesel (electric dual power option)
	maximum output:	14kW (19PS) / 2500min ⁻¹ (rpm)
	starting method:	electric
	tank capacity:	40 litres
Electric motor	power:	7.5kW
	voltage:	400v AC 50/60Hz
Standard equipment	computer controlled moment limiter (safe load indicator), overload warning lamps, cable remote control (20m)	
Optional equipment	2 fall hook block, 1 fall hook block, radio remote control, radio remote control with digital feedback display, mains electric dual power (400v), low marking tracks	



CRANE ELEVATIONS



RATED LOADS

UR-A376CL

SECOND STAGE EXTENDED 3.63 - 5.85 BOOM LENGTH

Working radius	m	up to 2.0	2.4	2.5	2.7	3.0	3.5	4.0	4.5	5.0	5.69
Outrigger Max-extended	kg	2,900	2,900	2,750	2,500	2,250	1,900	1,600	1,400	1,220	1,050
Outrigger Mid-extended	kg	2,900	2,900	2,750	2,500	2,250	1,880	1,440	1,050	790	570
Outrigger Min-extended	kg	2,900	2,900	2,750	2,500	1,930	1,330	980	740	570	400

THIRD STAGE EXTENDED 5.85 - 8.00M BOOM LENGTH

Working radius	m	up to 2.7	3.0	3.5	4.0	4.5	5.0	5.5	6.0	6.5	7.0	7.84
Outrigger Max-extended	kg	2,200	2,000	1,650	1,350	1,160	1,020	900	800	700	650	600
Outrigger Mid-extended	kg	2,200	2,000	1,650	1,350	1,050	790	620	530	480	400	290
Outrigger Min-extended	kg	2,200	1,930	1,330	980	740	570	440	380	340	280	190

FOURTH STAGE EXTENDED 8.00 - 10.15M BOOM LENGTH

Working radius	m	up to 3.5	4.0	4.5	5.0	5.5	6.0	7.0	8.0	9.0	9.99
Outrigger Max-extended	kg	1,000	1,000	900	800	750	700	600	500	450	400
Outrigger Mid-extended	kg	1,000	1,000	900	790	620	530	400	300	230	160
Outrigger Min-extended	kg	1,000	980	740	570	440	380	280	190	130	90

FIFTH STAGE EXTENDED 10.15 - 12.30M BOOM LENGTH

Working radius	m	up to 4.5	5.0	5.5	6.0	7.0	8.0	9.0	10.0	11.0	12.14
Outrigger Max-extended	kg	600	600	520	450	370	320	280	250	220	200
Outrigger Mid-extended	kg	600	600	520	450	370	290	230	160	120	90
Outrigger Min-extended	kg	600	570	440	380	280	190	130	90	50	30

SIXTH STAGE EXTENDED 12.30 - 14.45M BOOM LENGTH

Working radius	m	up to 4.9	5.5	6.0	7.0	8.0	9.0	10.0	11.0	12.0	13.0	14.29
Outrigger Max-extended	kg	300	270	250	220	200	180	160	140	130	110	100
Outrigger Mid-extended	kg	300	270	250	220	200	180	160	120	90	60	40
Outrigger Min-extended	kg	300	270	250	220	190	130	90	50	30	prohibited	prohibited